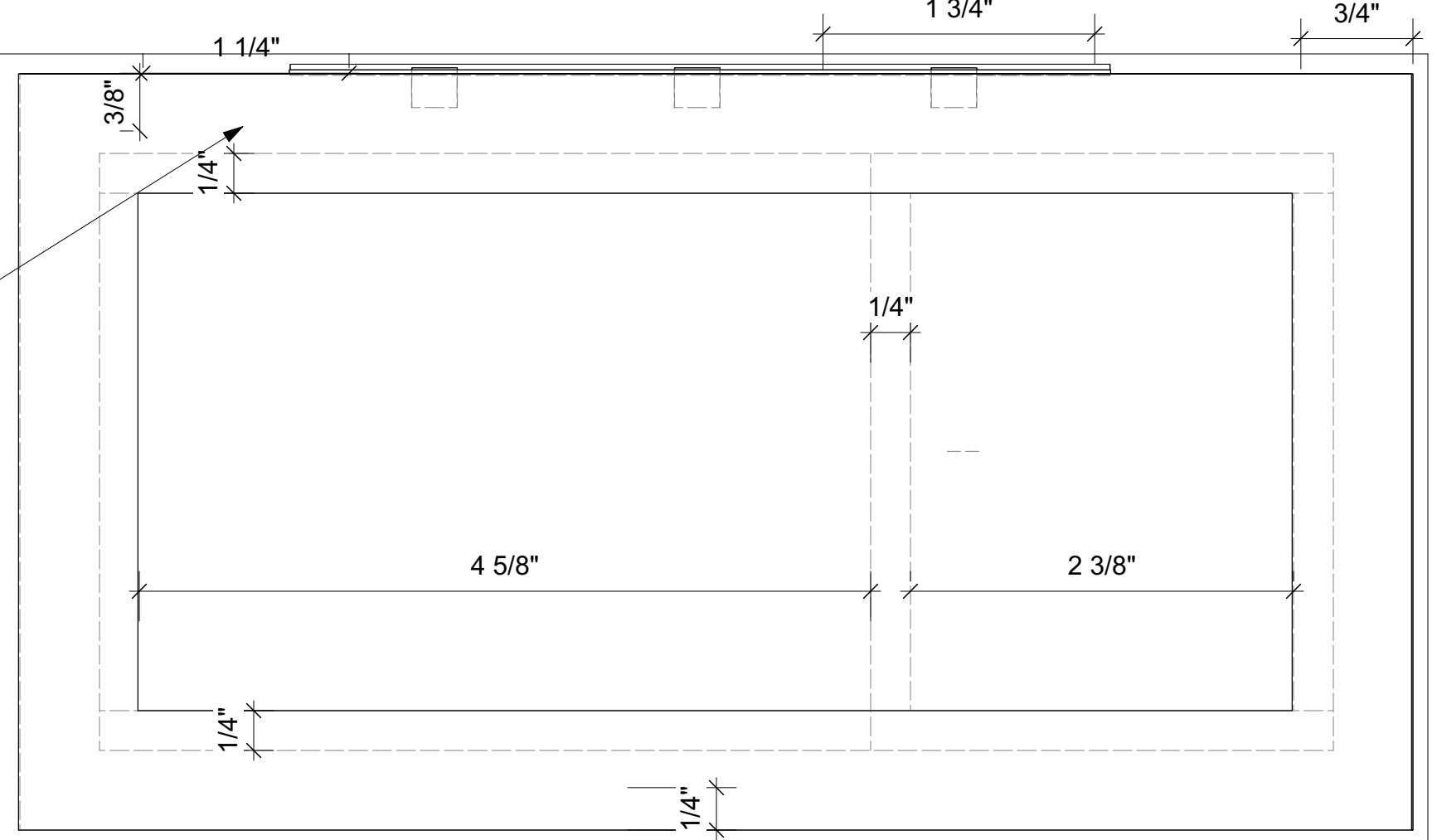
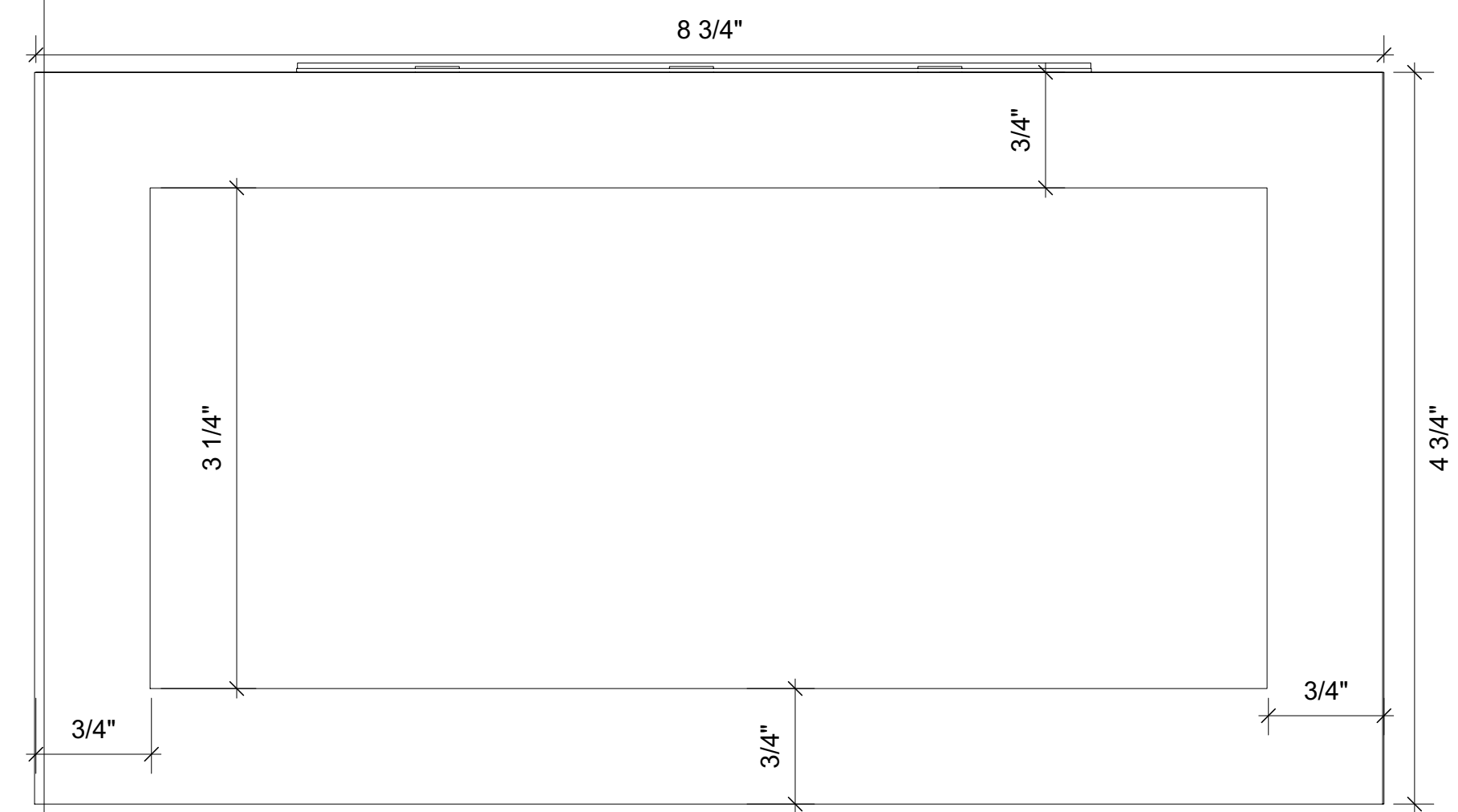


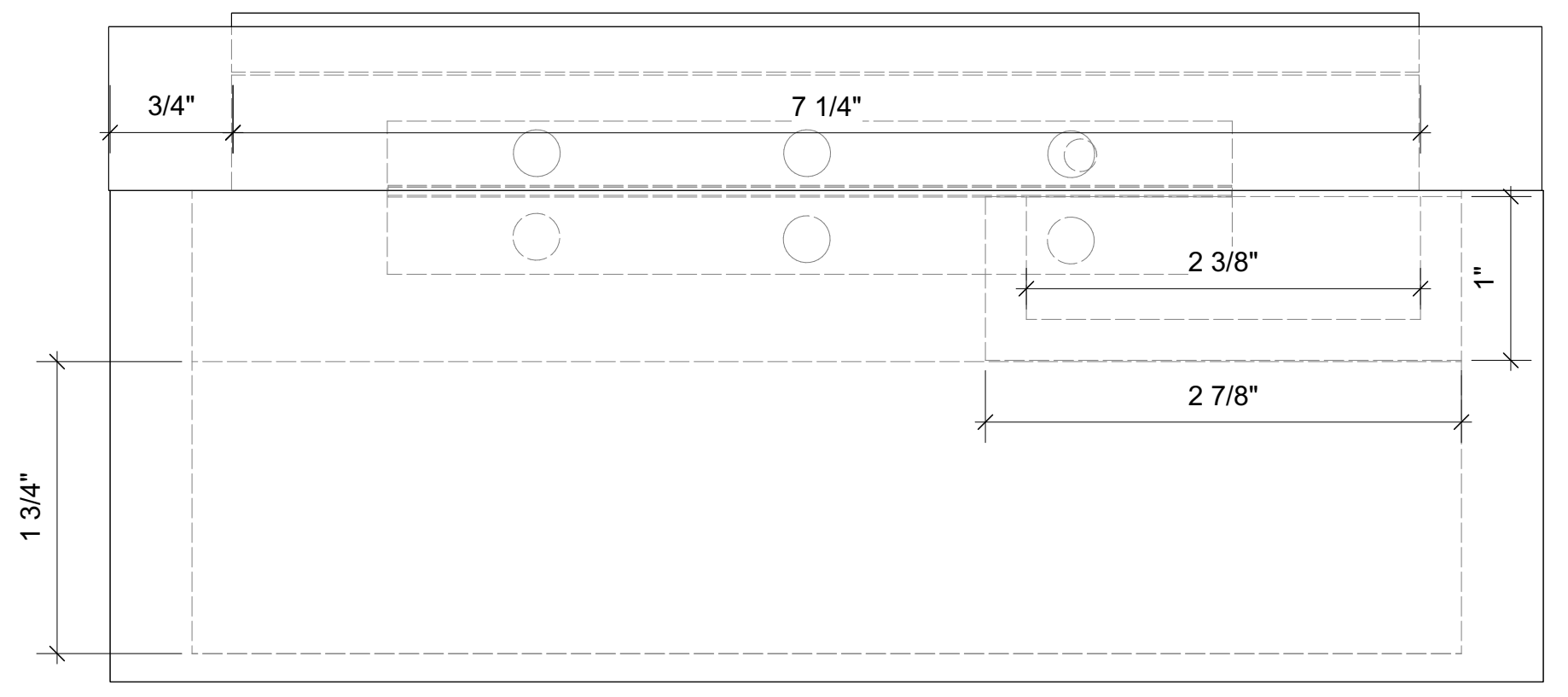
1 **Back View**
Scale: Actual Size



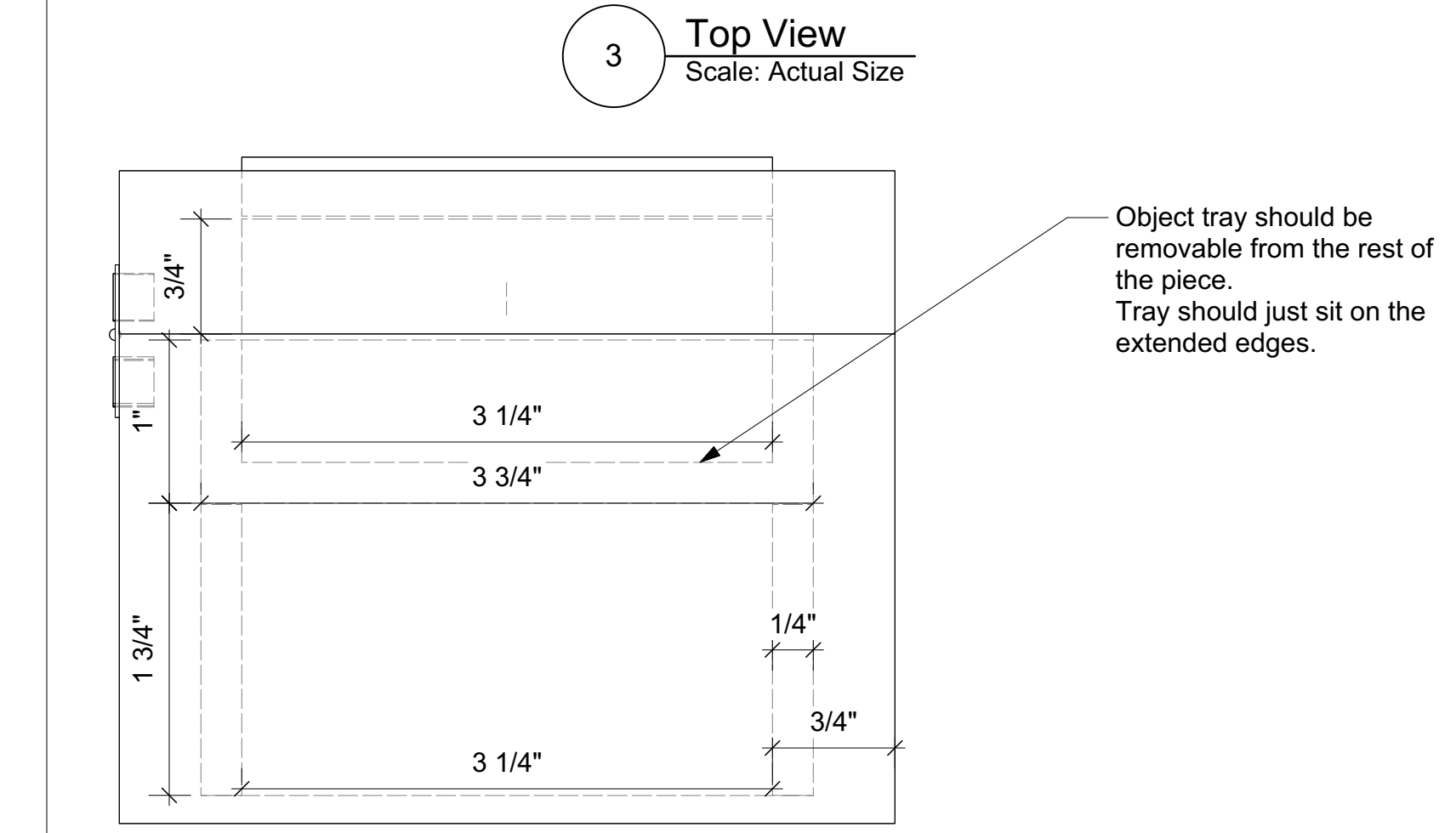
2 **Open Top view**
Scale: Actual Size



3 **Top View**
Scale: Actual Size



4 **Front Inside View**
Scale: Actual Size



5 **Side Inside View**
Scale: Actual Size

General Notes

- cut list
 - 2x1
 - (2) 8 3/4" x 4"
 - (2) 4 3/4" x 4"
 - (1) 7 1/4" X 3 1/4"
 - (2) 1"x 2 7/8"
 - (2) 1"x 3 1/4"
 - Luan
 - (1) 8 1/4" x 3 1/4"
 - (1) 3"x 2 3/5"
- Make whole box, then cut the top off
- Rabbet cut the inside, top and bottom edges of box to allow the top piece and luan bottom to fit.

Title Jewelry Box		
Drawing Number 1/1	Drawn By L. Ethridge	Date 5/3/2022
CAD File Name LarkinJewelryBoxS2022.vwx		